

COIN DEVICE WITH WATER VALVE



All owners of riding schools and livery yards want to offer the best equipment to their clients but also need to keep an eye on the costs. With a COLUMBUS coin device with electrical water valve you are able to do exactly that. This device is installed at the water supply system and you can be sure that no water gets wasted unnecessarily.

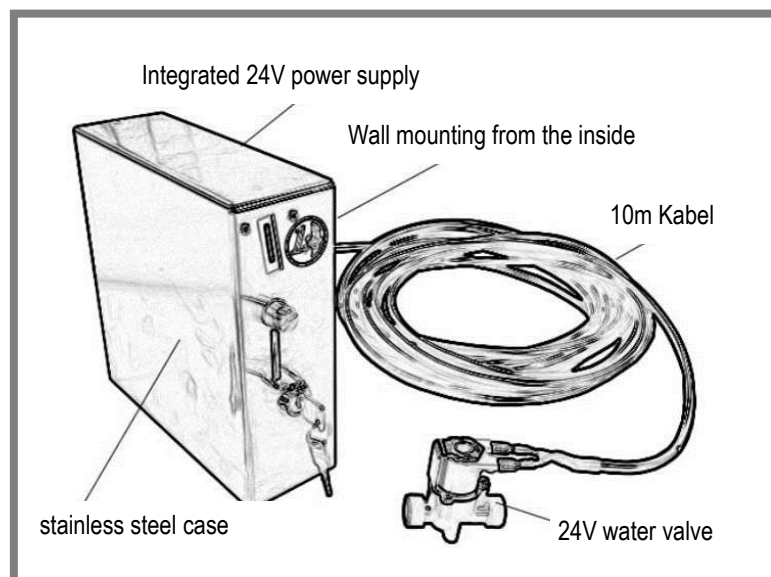
The coin device has an integrated timer which counts down from up to 99 minutes. Through the use of an especially developed electronic system and the mechanical coin acceptor, this coin device is ideal for the use in a wet environment. The mechanical coin acceptor is only suitable for one type of coins.

The casing is made from stainless steel. By changing the internal settings the time per coin can be adjusted. The cash box is completely integrated into the bottom of the device which ensures the safety of your money.



Changing the settings of the coin device is very easy and can be adjusted through the potentiometer at the inside of the device.

An additional power supply has been included for the operation of the water valve, thus the flow of hot water at the washing area can be controlled.



Technical Data

Power requirements:

Voltage	1Phase + N PE 230 V 50Hz
Circuit breaker	6 A
Switching capacity	1380 Watt
Power consumption	3 VA

Switching options:

Time setting per coin	99 min
Maximum time	99 min
Type of coin	€ 1,00
Mechanical coin acceptor	✓

Material and dimensions:

Material	stainless steel
Dimensions HxBxL in cm	21x21x7
Cable	2,5m
Water valve with transformer	✓
24V incl. 10m cable	✓
Connection	½" outdoor cable
Max. water temperature	60°C

Certification:

Quality seal:	CE
IP-value:	IP44