

The MaXuSS Series

MaXuSS TWIN



2 x
the basic model MaXuSS



A horse solarium is an important factor in keeping your horse healthy and enhancing its performance. Regular use generates a marked improvement in performance and fertility.

Just as regular sleep is necessary for the recuperation of strength, regular exposure to sun is essential for stimulating blood circulation, for improving the blood-cell count and for activating metabolic processes. Our solariums keep your horse healthy and robust.

However, especially helpful are horse solariums in order to relax muscles and to stop sweaty horses from getting ill during the cold and wet season.

The MaXuSS Solarium Series is made of a high-quality and heat-resistant plastic casing and the basic model consists of three parts. The rear and front parts can be moved separately and thus be positioned according to the precise shape of your horse. The combination of infrared (IR) lamps and fans ensure a pleasant thermal blanket between the solarium and your horse. The IR lamps are embedded into the body of the solarium which minimized the danger of contact with the warm bulbs.

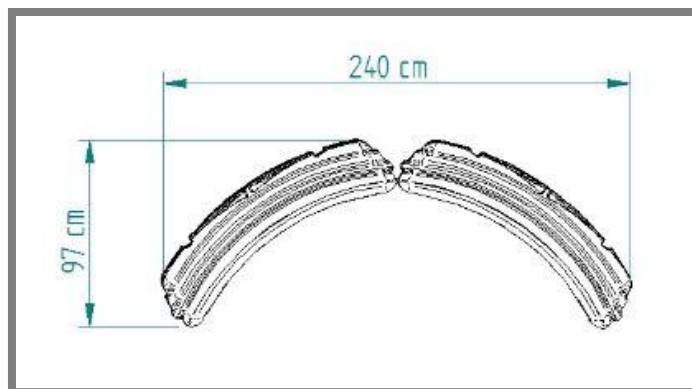
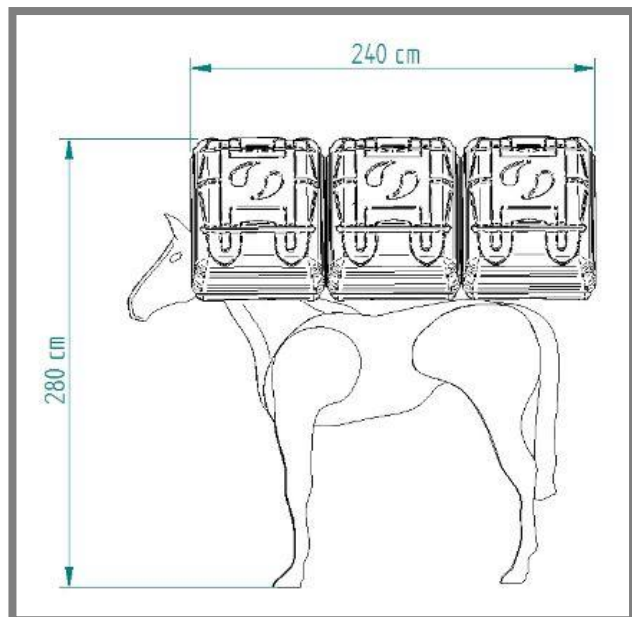
MaXuSS 230 / 400 / Pro / TWIN
are also available as “Thera” version
with colour therapy!

The **MaXuSS** Series consists of the following models:

MaXuSS 230	basic model
MaXuSS 400	basic model – as 230 with more power
MaXuSS W400	thinner than 230 / 400, has IR halogen spotlights instead of conventional IR lamps
MaXuSS TWIN	two MaXuSS Solariums are fused to one big solarium
MaXuSS Pro 230	the basic model 230 with 6 additional side modules consisting of 2 IR lamps each
MaXuSS Pro 400	the basic model 400 with 6 additional side modules consisting of 2 IR lamps each or optionally modules with hot-air blowers
MaXuSS Zephyr	Equine blow drier with 6 IR lamps and 9 hot-air blowers

The MaXuSS Series

MaXuSS TWIN



Product Details MaXuSS TWIN

Technical Specifications

IR lamps 100W:	12 pcs
IR lamps 150W:	24 pcs
IR lamps 250W:	12 pcs
Total IR capacity:	7800 W
Fan capacity:	12 x 90 m ³ /h
Automatic engagement of fans at 30°C:	√

Power requirements

Connection voltage:	3PH + N + PE 3x230 V 50 Hz
Circuit breaker:	3x 16 A
Total power consumption:	8400 W

Test marking

Quality seal:	CE
IP-value:	IP54

Materials and measurements

Body:	heat-resistant plastic
Colour top:	RAL6009 – dark green
Colour beneath:	RAL9001 – crème white
Lamp fitting:	aluminium
Suspension:	steel
Measurements LxWxH:	240 x 240 x 97 cm
Weight:	80 kg

Equipment and extras:

Suspension set	√		
Cable and plug	√		
LED lights	○		
Control box	○		
Coin device	○		
Electronic / manual lift	○		
Thera / Colour therapy	○		
<i>inclusive</i>	√	<i>optional</i>	○